

## Preparing Your Rear Suspension

REV 3-18-18

Upgrading (stiffening) the rear suspension is almost always recommended and/or required **before** your new camper is installed. In addition to your camper, the added weight of people, propane, water, and other accessories will further impact your truck.

For small trucks like the Tacoma, Ranger, Frontier, Dakota, Colorado, & Canyon a rear suspension upgrade **will** be needed to better carry your new camper. The same applies to most all of the full sized 1/2 ton trucks like the F-150, Ram 1500, Chevy/GMC 1500, Tundra, & Titan.

Please contact your local Tire & Suspension shop or a 4-Wheel vehicle build specialist so they can provide further guidance on how to best set up your truck for the additional weight.

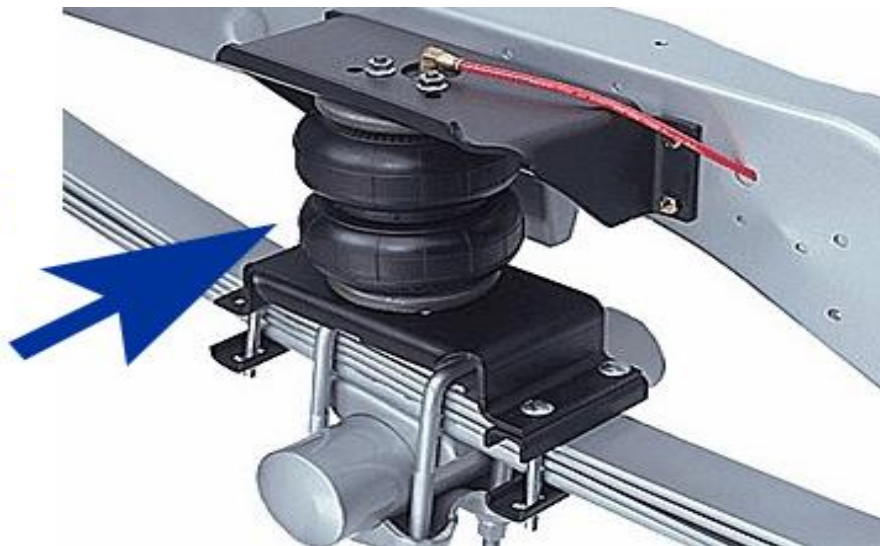
### Suspension upgrade options include:

- Over-load springs to upgrade your leaf-pack
- Adding a set of air bags to your rear suspension

### Over-Load Springs



### Air Bags



I have read and understand the above content. We encourage any questions you may have.

Sign

Print Name

Date